



# FRATA

## Aviation Obstruction Light Low Intensity Solar

FRATA's Part Number: 1490

### Specifications:

#### Standard:

FAA (USA): L-810

COMAER (Brasil): 1424/GC3

Light Intensity: > 32 cd

Light Source: LED Red - 100.000 hours

Steady Light

Light Beam: 360 ° Horizontal

Day/Night Sensor: Included

Protection: IP65

Weight: 3.6 kg

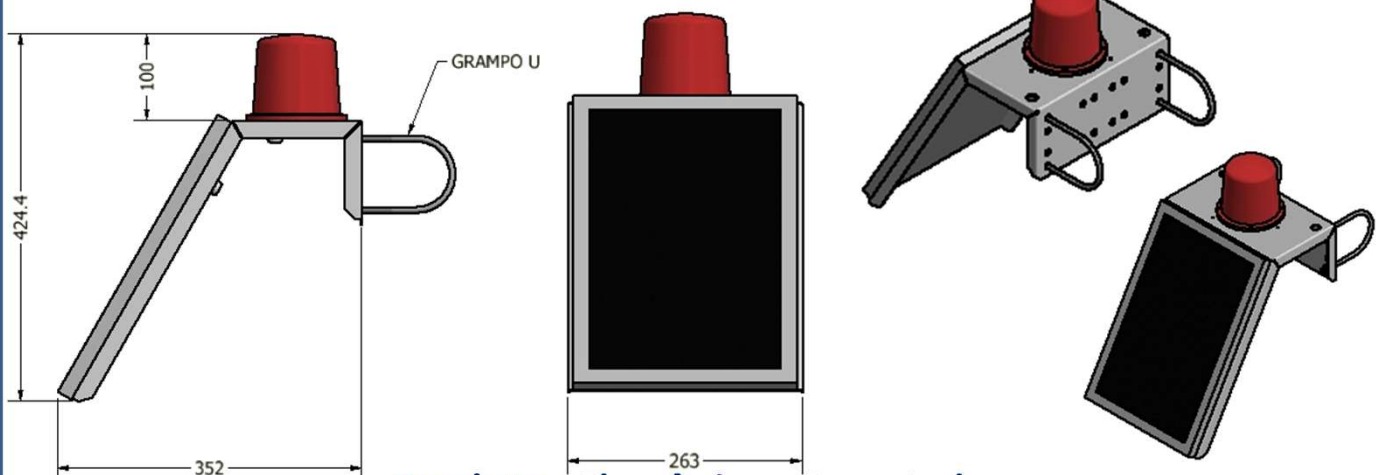
Operating Temperature: -10 °C ~ + 55 °C

Enclosure: Carbon steel with galvanizing and electrostatic painting,  
Polycarbonate (UV Protection)

Input Voltage: 10W Solar Panel

Battery: Lithium - ion

Autonomy: 3 days (in cloudy and rainy weather)



Produtos Eletrônicos Frata Ltda. OBS: Medidas em mm

Telefone: +55 11 3619-3556 | [www.frata.com.br](http://www.frata.com.br) | [frata@frata.com.br](mailto:frata@frata.com.br)